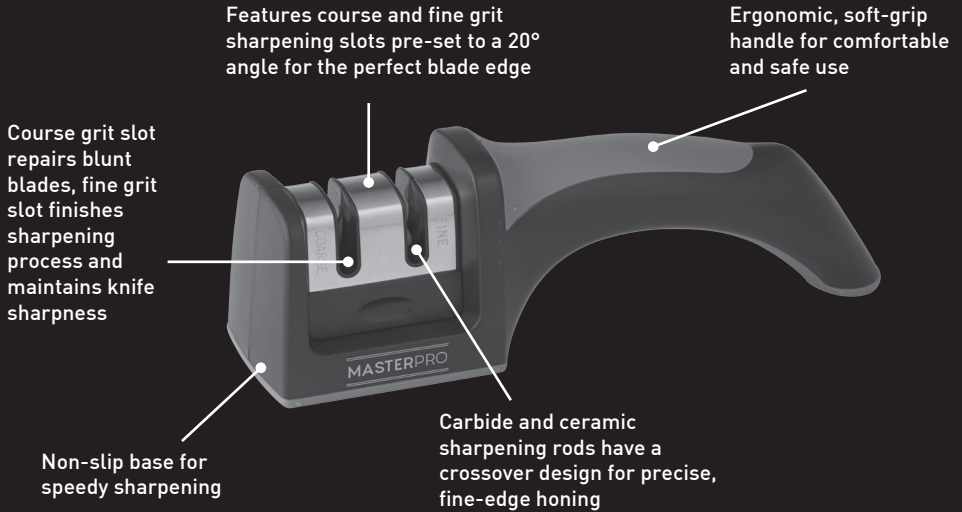

MASTERPRO

PREMIUM QUALITY

TWO-STAGE HANDHELD SHARPENER



The MasterPro Two-Stage Handheld Sharpener features course and fine grit sharpening slots. Always use the sharpener on a flat, stable surface.

Depending on how blunt your knife is, use one or both of the sharpening slots.

For a very blunt knife, start with the course sharpening option. Pull your knife blade through the slot marked COARSE from hilt to tip with a slight downward pressure at least three times. Repeat this action through the slot marked FINE using very little pressure. This will remove any burrs on the blade incurred from using the coarse slot. Finish by rinsing your knife under running water and dry thoroughly.

For regular knife sharpening, use the fine grit slot daily or weekly. Pull knife through slot with very little pressure four or five times. Rinse under running water and dry thoroughly.

Clean slots with a soft brush. Wipe item with a damp cloth when needed. Do not use water to clean sharpener or submerge it in water.

Caution: Please keep out of reach of children.

Two-Stage Handheld Sharpener is not suitable for serrated knives or scissors.

Avoid damaging your knives by only pulling blade through slots from hilt to tip, and not back and forth through slot.

Ceramic rods may discolour over time. This is normal.

MASTERPRO

PREMIUM QUALITY

www.master-pro.com.au